

aiwa



TV-SX2150

COLOR TELEVISION

• TYPE: KE

SIMPLE MANUAL

• Replace this Service Manual with "Revision Publishing" when it is issued.

S/M Code No. 09-99A-421-1T1

MANUAL
SERVICE

ELECTRICAL MAIN PARTS LIST - 1/1

NOTE: The characters in the suffix column indicate the part usage.

REF.NO	PARTS NO.	NO.	DESCRIPTION	SUFFIX
KEJK1M		XX		A
		KANRI		
	87-035-458-010		FUSE,4A 250V T W/C	A
	87-A90-332-010		HLDR,SF-2001 HV CABLE	A
	87-JBN-630-010		DGC,21PAL 7JB-22	A
	88-JBJ-605-010		CONN ASSY,5P V DY-420	A
	8Z-JB3-620-010		SPKR,6*12 8OHM 15W	A
	8Z-JB3-621-010		SPKR,8 8OHM 15W	A
	8Z-JBX-602-010		CONN ASSY,4P SP 205-0.5	A
	8Z-JBX-691-010		AC CORD ASSY,KE IND BLK BUSH	A
V 551	88-JBJ-601-010		CRT,A51KPD12XX	A

ELECTRICAL MAIN PARTS LIST - 1/4 (ZZJ-D)

NOTE: The characters in the suffix column indicate the part usage.

REF.NO	PARTS NO.	DESCRIPTION	SUFFIX
		BVT2+3-12 W/O SLOT	A.....
C	804	CAP,CER 3300P-250NS	A.....
C	806	CAP,CER 3300P-250NS	A.....
C	809	CAP, CER 1000P-50V	A.....
C	808	CAP,CER 680P-2K K BN DE	A.....
C	802	CAP,AC M/P 0.22 300 M B81131	A.....
C	801	CAP,AC M/P 0.22 300 M B81131	A.....
C	807	CAP,E 150-420 SMH	A.....
C	810	CAP, ELECT 100-25V	A.....
C	814	CAP,CER 1000P-1K B	A.....
C	819	CAP,CER 1000P-1K B	A.....
C	818	CAP,E 100-160 M SSL	A.....
C	811	CAP, CER 470P-50V	A.....
C	812	CAP, CER 680P-50V	A.....
C	813	CAP,M/P 0.01-1250 J	A.....
C	817	CAP,E 220-160 M KMF	A.....
C	816	CAP,CER 2200P-2K K R	A.....
C	815	CAP,M/P 1000P-1.6K J ECWH(VB)	A.....
C	826	CAP,E 470-16 SME	A.....
C	821	CAP,E 1000-35 SME	A.....
C	824	CAP,E 1000-35 SME	A.....
C	823	CAP,E 2200-35V	A.....
C	820	CAP,E 2200-35V	A.....
C	827	CAP, ELECT 10-50V	A.....
C	828	CAP, ELECT 10-50V	A.....
C	822	CAP,CER 1000P-1K B	A.....
C	825	CAP, CER 1000P-50V	A.....
C	829	CAP,CER 2200P-500 K B DD10	A.....
C	834	CAP, ELECT 22-25V	A.....
C	835	CAP, ELECT 100-25V	A.....
C	830	CAP, ELECT 10-50V	A.....
C	833	CAP, ELECT 10-50V	A.....
C	832	CAP, ELECT 10-50V	A.....
C	831	CAP, ELECT 10-50V	A.....
CN	802	PLUG, 2P MINI(*)	A.....
CN	801	CONN, 2P VA V	A.....
CNA	803	CONN ASSY, 4P V WF PW 340	A.....
CNA	802	CONN ASSY, 5P MAIN-NK 20'/21'	A.....
CNA	801	CONN ASSY, 8P V AU PW 200	A.....
D	802	DIODE, GBU6J	A.....
D	805	DIODE, RGP10JE-5025	A.....
D	806	DIODE, RGP10JE-5025	A.....
D	803	DIODE, RGP10JE-5025	A.....
D	807	DIODE, RGP10JE-5025	A.....
D	808	DIODE, RGP10JE-5025	A.....
D	809	DIODE, RU 1P	A.....
D	804	ZENER, MTZJ6.8C	A.....
D	801	VRIS, TNR15G471K	A.....
D	817	DIODE, IN4148	A.....
D	815	DIODE, IN4148	A.....
D	814	DIODE, IN4148	A.....
D	816	DIODE, IN4148	A.....
D	813	DIODE, RGP10JE-5025	A.....
D	818	DIODE, RGP10JE-5025	A.....
D	810	DIODE, UF3GL-6251	A.....
D	812	DIODE, UF3GL-6251	A.....
D	811	DIODE, UF3GL-6251	A.....
D	819	ZENER, MTZJ3.9B	A.....
D	820	DIODE, IN4148	A.....
D	821	DIODE, IN4148	A.....
FB	801	F-BEAD, FBR07HA121NB	A.....
FB	805	F-BEAD, FBR07HA121NB	A.....
FB	804	F-BEAD, FBR07HA121NB	A.....
FB	802	F-BEAD, FBR07HA121NB	A.....
FB	806	F-BEAD, FBR07HA121NB	A.....
FC	802	CLAMP, FUSE	A.....
FC	801	CLAMP, FUSE	A.....
IC	804	IC, NJM7805FA	A.....
IC	802	IC, NJM7805FA	A.....
IC	803	IC, NJM7809FA	A.....
IC	801	IC, STR-F6656	A.....
L	801	COIL, 390UH RCH106	A.....
LF	801	FLTR, LINE SS24H-K15070	A.....
PR	801	PROTECTOR, 1.5A 491SERIES 60V	A.....
PR	804	PROTECTOR, 4A 491SERIES 60V	A.....
PR	803	PROTECTOR, 4A 491SERIES 60V	A.....
PR	802	PROTECTOR, 4A 491SERIES 60V	A.....
PS	801	P-COUPLER, ON3171-R	A.....
PS	802	P-COUPLER, ON3171-R	A.....
PT	801	PT, SW ZJB-KE-A M	A.....
Q	802	TR, SE115N	A.....
Q	806	TR, 2SA1175FE	A.....
Q	801	TR, 2SA1175FE	A.....
Q	803	FET, 2SK2541	A.....
Q	805	FET, 2SK2541	A.....
Q	804	FET, 2SJ460	A.....

ELECTRICAL MAIN PARTS LIST - 2/4 (ZZJ-D)

R	804	87-A00-543-080	RES,SD 8.2M-1W J RCR60	A.....
R	802	87-A00-552-010	RES,CEM 1.0-10W J MPC722	A.....
R	803	87-A00-552-010	RES,CEM 1.0-10W J MPC722	A.....
R	807	87-A00-610-060	RES,M/F 0.15-3W J LS	A.....
R	808	87-A00-610-060	RES,M/F 0.15-3W J LS	A.....
R	816	87-A00-170-090	RES,M/F 82K-3W J RSF(S)	A.....
R	817	87-A00-223-090	RES,M/F 47K-2W J RSF(S)	A.....
R	827	87-A00-170-090	RES,M/F 82K-3W J RSF(S)	A.....
R	830	87-A00-158-090	RES,M/F 15-2W J RSF(S)	A.....
S	801	87-A91-410-010	SW,AC PUSH 1-1-1 ESB92SH1B	A.....
THP	801	87-A91-405-010	POS-THMS,T209-B80-A10	A.....
C	904	87-010-221-080	CAP, ELECT 470-10V	A.....
C	903	87-010-401-080	CAP, ELECT 1-50V	A.....
C	902	87-010-401-080	CAP, ELECT 1-50V	A.....
C	908	87-010-401-080	CAP, ELECT 1-50V	A.....
C	909	87-010-401-080	CAP, ELECT 1-50V	A.....
C	901	87-010-405-080	CAP, ELECT 10-50V	A.....
C	905	87-010-405-080	CAP, ELECT 10-50V	A.....
C	906	87-010-405-080	CAP, ELECT 10-50V	A.....
C	907	87-010-405-080	CAP, ELECT 10-50V	A.....
C	912	87-010-382-080	CAP, ELECT 22-25V	A.....
C	910	87-010-401-080	CAP, ELECT 1-50V	A.....
C	911	87-010-401-080	CAP, ELECT 1-50V	A.....
C	913	87-018-134-080	CAPACITOR,TC-U 0.01-16	A.....
C	914	87-018-134-080	CAPACITOR,TC-U 0.01-16	A.....
CN	901	87-049-469-010	CONN,4P V	A.....
CNA	902	8Z-JB4-660-010	CONN ASSY,5P 401-481 AUDIO	A.....
CNA	903	8Z-JB9-661-010	CONN ASSY,10P MAIN-AUDIO	A.....
CNA	901	8Z-JB9-662-010	CONN ASSY,6P V AU L/R 300	A.....
D	901	87-070-345-080	DIODE,IN4148	A.....
D	902	87-070-345-080	DIODE,IN4148	A.....
D	903	87-070-345-080	DIODE,IN4148	A.....
IC	901	87-027-666-010	IC,TC4052BP	A.....
IC	902	87-027-666-010	IC,TC4052BP	A.....
J	901	87-A60-324-110	JACK,PIN 6P Y-W-R W/SW	A.....
J	903	87-A60-858-010	JACK,3.5 BLK ST 2 SW	A.....
J	902	87-A61-021-010	JACK,PIN 3P W/SW YKC21-5734	A.....
Q	909	87-A30-065-080	TR,2SC2785FE	A.....
Q	907	87-A30-065-080	TR,2SC2785FE	A.....
Q	903	87-A30-065-080	TR,2SC2785FE	A.....
Q	908	87-A30-065-080	TR,2SC2785FE	A.....
Q	902	87-A30-065-080	TR,2SC2785FE	A.....
Q	901	87-A30-066-080	TR,2SA1175FE	A.....
Q	905	87-A30-121-080	TR,DTC 323 TS	A.....
Q	906	87-A30-121-080	TR,DTC 323 TS	A.....
Q	904	87-A30-121-080	TR,DTC 323 TS	A.....
Q	913	87-A30-065-080	TR,2SC2785FE	A.....
Q	910	87-A30-065-080	TR,2SC2785FE	A.....
Q	912	87-A30-065-080	TR,2SC2785FE	A.....
Q	911	87-A30-066-080	TR,2SA1175FE	A.....
R	936	87-A00-070-090	RES,M/F 220-1W J	A.....
R	937	87-A00-070-090	RES,M/F 220-1W J	A.....
C	3	87-010-405-080	CAP, ELECT 10-50V	A.....
C	5	87-010-405-080	CAP, ELECT 10-50V	A.....
C	7	87-010-405-080	CAP, ELECT 10-50V	A.....
C	8	87-010-405-080	CAP, ELECT 10-50V	A.....
C	2	87-018-109-080	CAP, CER 22P-50V	A.....
C	1	87-018-109-080	CAP, CER 22P-50V	A.....
C	6	87-018-119-080	CAP, CER 100P-50V	A.....
C	4	87-018-134-080	CAPACITOR,TC-U 0.01-16	A.....
C	9	87-018-134-080	CAPACITOR,TC-U 0.01-16	A.....
C	13	87-010-405-080	CAP, ELECT 10-50V	A.....
C	10	87-018-119-080	CAP, CER 100P-50V	A.....
C	11	87-018-119-080	CAP, CER 100P-50V	A.....
C	14	87-018-126-080	CAP,TC-U 390P-50 B	A.....
C	12	87-018-134-080	CAPACITOR,TC-U 0.01-16	A.....
C	15	87-018-149-080	CAP,TC-U 15P-50 CH	A.....
C	16	87-018-149-080	CAP,TC-U 15P-50 CH	A.....
CN	1	87-099-407-010	CONN,7P EH V WHT	A.....
D	8	87-070-345-080	DIODE,IN4148	A.....
D	4	87-070-345-080	DIODE,IN4148	A.....
D	7	87-070-345-080	DIODE,IN4148	A.....
D	9	87-A40-422-010	LED,SLP-581D-51 Y-G/R	A.....
D	10	87-A40-347-080	ZENER,MTZJ2.2B	A.....
D	11	87-A40-347-080	ZENER,MTZJ2.2B	A.....
FB	1	87-003-320-080	F-BEAD,FBR07HA121NB	A.....
HL	9	84-LB3-216-010	HLDR,LED	A.....
IC	2	87-A21-133-080	IC,BMR-0101D	A.....
IC	4	87-A21-434-010	IC,KS24C081I	A.....
IC	3	87-A91-538-010	RCR UNIT,SBX1981-72P	A.....
IC	1	8Z-JB9-651-010	IC,TMP87CP38N-***	A.....
L	1	87-003-147-080	COIL, 22UH	A.....
L	2	87-003-152-080	COIL, 100UH	A.....
Q	1	87-A30-066-080	TR,2SA1175FE	A.....
Q	2	87-A30-090-080	FET,2SK2541	A.....
Q	3	87-A30-091-080	FET,2SJ460	A.....
S	6	87-A90-712-080	SW,TACT EVQ11L07K	A.....
S	1	87-A90-712-080	SW,TACT EVQ11L07K	A.....
S	2	87-A90-712-080	SW,TACT EVQ11L07K	A.....
S	4	87-A90-712-080	SW,TACT EVQ11L07K	A.....
S	5	87-A90-712-080	SW,TACT EVQ11L07K	A.....
S	3	87-A90-712-080	SW,TACT EVQ11L07K	A.....

ELECTRICAL MAIN PARTS LIST - 3/4 (ZZJ-D)

X	1	87-030-187-080	VIB,XTAL 8.00MHZ	A.....
C	103	87-010-263-080	CAP, ELECT 100-10V	A.....
C	105	87-010-263-080	CAP, ELECT 100-10V	A.....
C	101	87-010-404-080	CAP, ELECT 4.7-50V	A.....
C	108	87-018-132-080	CAP, CER 2200P-16V	A.....
C	107	87-018-134-080	CAPACITOR,TC-U 0.01-16	A.....
C	104	87-018-134-080	CAPACITOR,TC-U 0.01-16	A.....
C	102	87-018-134-080	CAPACITOR,TC-U 0.01-16	A.....
C	106	87-A10-207-080	CAP, TCS 0.01-50KBUP050	A.....
C	113	87-010-260-080	CAP, ELECT 47-25V	A.....
C	116	87-010-260-080	CAP, ELECT 47-25V	A.....
C	110	87-018-132-080	CAP, CER 2200P-16V	A.....
C	111	87-018-134-080	CAPACITOR,TC-U 0.01-16	A.....
C	122	87-010-260-080	CAP, ELECT 47-25V	A.....
C	124	87-010-401-080	CAP, ELECT 1-50V	A.....
C	126	87-010-544-080	CAP, ELECT 0.1-50V	A.....
C	127	87-018-119-080	CAP, CER 100P-50V	A.....
C	125	87-018-134-080	CAPACITOR,TC-U 0.01-16	A.....
C	129	87-018-134-080	CAPACITOR,TC-U 0.01-16	A.....
C	121	87-018-134-080	CAPACITOR,TC-U 0.01-16	A.....
C	128	87-018-134-080	CAPACITOR,TC-U 0.01-16	A.....
C	123	87-018-134-080	CAPACITOR,TC-U 0.01-16	A.....
C	132	87-010-260-080	CAP, ELECT 47-25V	A.....
C	130	87-010-405-080	CAP, ELECT 10-50V	A.....
CF	204	87-008-577-080	FLTR,TPS5.5MB2	A.....
CN	102	87-A60-732-010	CONN,6P JL-BT	A.....
CN	101	87-A60-734-010	CONN,8P JL-BT	A.....
D	103	87-070-345-080	DIODE,IN4148	A.....
D	101	87-070-444-080	ZENER,HZS33-1	A.....
L	104	87-003-098-080	COIL,2.2UH	A.....
L	102	87-003-152-080	COIL, 100UH	A.....
L	101	87-005-444-080	COIL 100UH,K	A.....
L	113	87-003-098-080	COIL,2.2UH	A.....
L	112	87-003-149-080	COIL,47UH	A.....
L	111	87-003-282-080	COIL,12UH	A.....
L	114	87-A50-530-010	COIL,VCO38.0MHZ	A.....
Q	108	87-A30-065-080	TR,2SC2785FE	A.....
Q	107	87-A30-065-080	TR,2SC2785FE	A.....
Q	105	87-A30-066-080	TR,2SA1175FE	A.....
Q	101	89-337-794-580	TR,2SC3779 D/E	A.....
R	101	87-A00-164-090	RES,M/F 12K-2W J RSF(S)	A.....
SWF	201	87-A91-515-010	FLTR,SAW TSB5388P	A.....
SWF	202	87-A91-586-010	FLTR,SAW OFW-K3957M	A.....
TU	101	87-A91-495-010	TU UNIT, ENV59D58G3-38.0MHZ	A.....
		87-010-263-080	CAP, ELECT 100-10V	A.....
C	308	87-010-405-080	CAP, ELECT 10-50V	A.....
C	301	87-010-545-080	CAP, ELECT 0.22-50V	A.....
C	302	87-018-132-080	CAP, CER 2200P-16V	A.....
C	307	87-018-134-080	CAPACITOR,TC-U 0.01-16	A.....
C	309	87-018-147-080	CAP,TC-U 10P-50 CH	A.....
C	303	87-018-147-080	CAP,TC-U 10P-50 CH	A.....
C	317	87-010-248-080	CAP, ELECT 220-10V	A.....
C	319	87-010-400-080	CAP, ELECT 0.47-50V	A.....
C	316	87-010-400-080	CAP, ELECT 0.47-50V	A.....
C	314	87-010-401-080	CAP, ELECT 1-50V	A.....
C	312	87-010-404-080	CAP, ELECT 4.7-50V	A.....
C	313	87-018-119-080	CAP, CER 100P-50V	A.....
C	318	87-018-134-080	CAPACITOR,TC-U 0.01-16	A.....
C	311	87-018-147-080	CAP,TC-U 10P-50 CH	A.....
C	310	87-018-147-080	CAP,TC-U 10P-50 CH	A.....
C	315	87-018-196-080	CAP, CER 1500P-16V	A.....
C	320	87-010-263-080	CAP, ELECT 100-10V	A.....
C	328	87-010-400-080	CAP, ELECT 0.47-50V	A.....
C	321	87-018-134-080	CAPACITOR,TC-U 0.01-16	A.....
C	331	87-010-263-080	CAP, ELECT 100-10V	A.....
C	330	87-018-134-080	CAPACITOR,TC-U 0.01-16	A.....
C	342	87-018-119-080	CAP, CER 100P-50V	A.....
C	343	87-018-119-080	CAP, CER 100P-50V	A.....
CNA	301	84-LB2-631-010	CONN ASSY,5P TN-4	A.....
D	301	87-070-345-080	DIODE,IN4148	A.....
D	304	87-070-345-080	DIODE,IN4148	A.....
D	302	87-A40-235-080	ZENER,MTZJ9.1C	A.....
D	303	87-A40-235-080	ZENER,MTZJ9.1C	A.....
D	305	87-A40-350-080	ZENER,MTZJ 4.7C	A.....
D	315	87-070-345-080	DIODE,IN4148	A.....
IC	301	87-A21-165-010	IC,TB1240BN	A.....
L	301	87-005-444-080	COIL 100UH,K	A.....
L	302	87-005-481-080	COIL,47UH J FLR50	A.....
Q	303	87-026-218-080	TR,DTC144ES (0.2W)	A.....
Q	301	87-A30-066-080	TR,2SA1175FE	A.....
Q	302	87-A30-090-080	FET,2SK2541	A.....
X	301	87-A70-054-080	VIB,XTAL 4.43MHZ AQC-1018	A.....
		87-067-579-010	TAPPING SCREW, BVT2+3-8	A.....
C	503	87-010-247-080	CAP, ELECT 100-50V	A.....
C	509	87-010-405-080	CAP, ELECT 10-50V	A.....
C	502	87-018-115-080	CAP, CER 47P-50V	A.....
C	501	87-018-195-080	CAP, CER 1200P-16V	A.....
C	510	87-010-401-080	CAP, ELECT 1-50V	A.....
C	513	87-018-127-080	CAP, CER 470P-50V	A.....
C	512	87-A10-011-090	CAP,E 2200-25 SMG	A.....
C	511	88-708-980-810	CAP,M 0.056-100 J AMZV	A.....
C	609	87-010-386-080	CAP,E330-25 SME	A.....

ELECTRICAL MAIN PARTS LIST -4/4 (ZZJ-D)

C	607	87-010-397-090	CAP,E 1000-35 SME	A.....
C	603	87-016-299-080	CAP,E 10-100 SME	A.....
C	606	87-016-515-080	CAP,CER 1000P-1K B	A.....
C	601	87-A10-406-010	CAP,CER 270P-2K K BN DE	A.....
C	618	87-010-974-080	CAP,CER 220P-500 B	A.....
C	617	87-010-976-080	CAP,CER 1000P-500 B	A.....
C	614	87-012-396-010	CAP,CER 820P-2K K BN DE	A.....
C	610	87-016-217-080	CAP,E 4.7-160	A.....
C	613	87-016-490-010	CAP,M/PP8200P-1.6KJ	A.....
C	616	87-018-132-080	CAP,CER 2200P-16V	A.....
C	611	87-A10-043-010	CAP,PP 0.56-200 PH	A.....
CN	601	87-099-675-010	CONN,5P V V	A.....
D	501	87-070-092-080	DIODE,S5566B	A.....
D	604	87-070-345-080	DIODE,IN4148	A.....
D	606	87-070-345-080	DIODE,IN4148	A.....
D	607	87-070-345-080	DIODE,IN4148	A.....
D	602	87-A40-286-080	DIODE,RGP10JE-5025	A.....
D	601	87-A40-286-080	DIODE,RGP10JE-5025	A.....
D	603	87-A40-286-080	DIODE,RGP10JE-5025	A.....
D	605	87-A40-286-080	DIODE,RGP10JE-5025	A.....
FB	501	87-003-320-080	F-BEAD,FBR07HA121NB	A.....
FB	601	87-003-320-080	F-BEAD,FBR07HA121NB	A.....
FR	606	87-A00-049-060	RES,FUSE 2.2K-1/2WJ R-TYPE	A.....
FR	604	87-A00-050-060	RES,FUSE 2.2-1W J R-TYPE	A.....
FR	603	87-A00-052-060	RES,FUSE 3.9-1W J R-TYPE	A.....
FR	601	87-A00-063-060	RES,FUSE 2.2-1/2W J R-TYPE	A.....
IC	501	87-070-237-010	IC,LA7832	A.....
L	601	87-A50-040-010	COIL,2.2MH	A.....
L	602	88-JBJ-625-010	COIL,HLC-ELH5L4120N	A.....
Q	501	87-A30-065-080	TR,2SC2785FE	A.....
Q	603	87-A30-065-080	TR,2SC2785FE	A.....
Q	601	87-A30-095-010	TR,2SD2333LS/C202	A.....
Q	602	89-334-674-580	TR,2SC3467 D/E	A.....
R	619	87-A00-200-090	RES,M/F 100-2W J RSF(S)	A.....
R	612	87-A00-225-090	RES,M/F 2.2K-5W J RSV5	A.....
S	501	87-A90-567-010	SW,LVR 4-1-3 EVQRAAL10	A.....
T	602	84-LB3-651-010	TRANS,HD MS-101N	A.....
T	601	8Z-JBR-605-010	FBT,HFT3607(SAN)21-C	A.....

ELECTRICAL MAIN PARTS LIST -1/2 (ZZJ-E)

NOTE: The characters in the suffix column indicate the part usage.

REF.NO	PARTS NO.	DESCRIPTION	SUFFIX
YCOMASSYM	XX.....	A.....
		KANRI	
		NO.	
C	557	87-010-405-080	CAP, ELECT 10-50V
C	556	87-010-405-080	CAP, ELECT 10-50V
C	551	87-010-976-080	CAP,CER 1000P-500 B
C	552	87-012-397-010	CAP,CER 1000P-2K BN
C	554	87-018-124-080	CAP, CER 270P-50V
C	553	87-018-124-080	CAP, CER 270P-50V
C	555	87-018-126-080	CAP,TC-U 390P-50 B
CN	551	87-009-195-010	CONN,5P B5BEH
CN	552	87-049-590-010	CONN,5P 8283 V WHT
CN	554	87-A61-060-080	CONN,1P V RED TP00706
CN	553	87-A61-112-080	CONN,1P V BLU TP00704
D	555	87-070-345-080	DIODE,IN4148
D	557	87-070-345-080	DIODE,IN4148
D	556	87-070-345-080	DIODE,IN4148
D	553	87-070-345-080	DIODE,IN4148
D	551	87-070-345-080	DIODE,IN4148
D	554	87-070-345-080	DIODE,IN4148
D	552	87-070-345-080	DIODE,IN4148
L	551	87-005-444-080	COIL 100UH,K
Q	553	87-A30-005-010	TR,2SC2688M/L
Q	552	87-A30-005-010	TR,2SC2688M/L
Q	551	87-A30-005-010	TR,2SC2688M/L
Q	554	87-A30-066-080	TR,2SA1175FE
R	552	87-A00-165-090	RES,M/F 15K-2W J RSF(S)
R	551	87-A00-165-090	RES,M/F 15K-2W J RSF(S)
R	553	87-A00-165-090	RES,M/F 15K-2W J RSF(S)
SO	552	86-LBR-670-010	SOCKET,CRT 9P HPS1521
		87-067-579-010	TAPPING SCREW, BVT2+3-8
C	402	87-010-260-080	CAP, ELECT 47-25V
C	408	87-010-367-080	CAP,E 4.7-25 BP
C	401	87-010-402-080	CAP, ELECT 2.2-50V
C	405	87-010-402-080	CAP, ELECT 2.2-50V
C	406	87-010-405-080	CAP, ELECT 10-50V
C	403	87-018-134-080	CAPACITOR,TC-U 0.01-16
C	407	87-A11-148-080	CAP,TC U 0.1-50 Z F
C	411	87-010-367-080	CAP,E 4.7-25 BP
C	418	87-010-367-080	CAP,E 4.7-25 BP
C	415	87-010-367-080	CAP,E 4.7-25 BP
C	414	87-010-405-080	CAP, ELECT 10-50V
C	412	87-010-405-080	CAP, ELECT 10-50V
C	413	87-A11-148-080	CAP,TC U 0.1-50 Z F
C	419	87-A11-148-080	CAP,TC U 0.1-50 Z F
C	421	87-010-260-080	CAP, ELECT 47-25V
C	420	87-010-260-080	CAP, ELECT 47-25V
C	429	87-010-263-080	CAP, ELECT 100-10V
C	427	87-010-401-080	CAP, ELECT 1-50V
C	422	87-018-134-080	CAPACITOR,TC-U 0.01-16
C	428	87-018-134-080	CAPACITOR,TC-U 0.01-16
C	426	87-A11-148-080	CAP,TC U 0.1-50 Z F
C	435	87-010-260-080	CAP, ELECT 47-25V
C	434	87-A11-148-080	CAP,TC U 0.1-50 Z F
C	433	87-A11-148-080	CAP,TC U 0.1-50 Z F
C	446	87-010-101-080	CAP, ELECT 220-16
C	448	87-010-260-080	CAP, ELECT 47-25V
C	449	87-A11-148-080	CAP,TC U 0.1-50 Z F
C	447	87-A11-148-080	CAP,TC U 0.1-50 Z F
C	454	87-010-101-080	CAP, ELECT 220-16
C	450	87-010-367-080	CAP,E 4.7-25 BP
C	451	87-018-134-080	CAPACITOR,TC-U 0.01-16
C	455	87-A11-148-080	CAP,TC U 0.1-50 Z F
C	459	87-A11-148-080	CAP,TC U 0.1-50 Z F
C	452	87-A11-148-080	CAP,TC U 0.1-50 Z F
C	460	87-010-260-080	CAP, ELECT 47-25V
C	466	87-010-260-080	CAP, ELECT 47-25V
C	461	87-010-367-080	CAP,E 4.7-25 BP
C	462	87-010-382-080	CAP, ELECT 22-25V
C	464	87-010-401-080	CAP, ELECT 1-50V
C	463	87-010-402-080	CAP, ELECT 2.2-50V
C	465	87-A11-148-080	CAP,TC U 0.1-50 Z F
C	479	87-010-247-080	CAP, ELECT 100-50V
C	478	87-010-401-080	CAP, ELECT 1-50V
C	476	87-010-404-080	CAP, ELECT 4.7-50V
C	477	87-010-404-080	CAP, ELECT 4.7-50V
C	483	87-010-247-080	CAP, ELECT 100-50V
C	485	87-010-247-080	CAP, ELECT 100-50V
C	487	87-010-388-080	CAP ELECT 1000-25V SME
C	486	87-010-388-080	CAP ELECT 1000-25V SME
C	481	87-010-388-080	CAP ELECT 1000-25V SME
C	480	87-010-388-080	CAP ELECT 1000-25V SME
C	482	87-010-401-080	CAP, ELECT 1-50V
C	489	87-010-401-080	CAP, ELECT 1-50V
C	484	87-A11-148-080	CAP,TC U 0.1-50 Z F
C	493	87-010-260-080	CAP, ELECT 47-25V
C	498	87-010-382-080	CAP, ELECT 22-25V
C	490	87-010-401-080	CAP, ELECT 1-50V
C	492	87-010-411-090	CAP,E 1000-50 M SME

ELECTRICAL MAIN PARTS LIST -2/2 (ZZJ-E)

C	491	87-A11-148-080	CAP,TC U 0.1-50 Z F	A.....
CN	401	87-009-034-010	CONN,6P PH V	A.....
CN	404	87-009-195-010	CONN,5P B5BEH	A.....
CN	407	87-049-469-010	CONN,4P V	A.....
CN	405	87-099-043-010	CONN 2P EH	A.....
CN	406	87-099-043-010	CONN 2P EH	A.....
CN	403	87-099-408-010	CONN,8P EH V WHT	A.....
D	405	87-070-345-080	DIODE,IN4148	A.....
D	407	87-070-345-080	DIODE,IN4148	A.....
D	402	87-070-345-080	DIODE,IN4148	A.....
D	401	87-070-345-080	DIODE,IN4148	A.....
D	406	87-070-345-080	DIODE,IN4148	A.....
D	403	87-070-345-080	DIODE,IN4148	A.....
FR	996	87-A00-084-090	RES,FUSE 1-1W J	A.....
FR	997	87-A00-084-090	RES,FUSE 1-1W J	A.....
IC	405	87-027-656-010	IC,TC4066	A.....
IC	403	87-A20-312-010	IC,M62420SP	A.....
IC	401	87-A21-259-010	IC,MM1454	A.....
IC	404	87-A21-299-010	IC,LA6458S	A.....
IC	407	87-A21-299-010	IC,LA6458S	A.....
IC	406	87-A21-299-010	IC,LA6458S	A.....
IC	402	87-A21-345-010	IC,NJM2150	A.....
IC	408	87-A21-346-010	IC,M5222L	A.....
IC	410	87-A21-283-010	IC,AN5277	A.....
IC	411	87-A21-283-010	IC,AN5277	A.....
Q	401	87-A30-065-080	TR,2SC2785FE	A.....
Q	402	87-A30-065-080	TR,2SC2785FE	A.....
Q	403	87-A30-090-080	FET,2SK2541	A.....
Q	408	87-A30-090-080	FET,2SK2541	A.....
Q	409	87-A30-090-080	FET,2SK2541	A.....
Q	404	87-A30-121-080	TR,DTC 323 TS	A.....
Q	407	87-A30-121-080	TR,DTC 323 TS	A.....
Q	414	87-A30-066-080	TR,2SA1175FE	A.....
Q	413	87-A30-090-080	FET,2SK2541	A.....
Q	412	87-A30-090-080	FET,2SK2541	A.....
Q	411	87-A30-121-080	TR,DTC 323 TS	A.....
R	404	87-025-380-080	RES,M/F 15K-1/6W F	A.....
R	405	87-025-381-080	RES,M/F 18K-1/6W F	A.....
R	401	87-025-381-080	RES,M/F 18K-1/6W F	A.....
R	402	87-025-424-080	RES,M/F 10K 1/6W F	A.....
S	401	87-A90-164-080	SW,TACT SKQAB(N)	A.....
S	402	87-A90-164-080	SW,TACT SKQAB(N)	A.....
S	403	87-A90-164-080	SW,TACT SKQAB(N)	A.....
S	404	87-A90-164-080	SW,TACT SKQAB(N)	A.....

ELECTRICAL MAIN PARTS LIST -1/1 (ZZJ-L)

NOTE: The characters in the suffix column indicate the part usage.

REF.NO	PARTS NO.	NO.	DESCRIPTION	SUFFIX
YNCMASSYM	XX	A.....
		KANRI		
C	703	87-010-145-080	C-CAP,S 1P-50 CH	A.....
C	704	87-010-145-080	C-CAP,S 1P-50 CH	A.....
C	707	87-010-197-080	CAP,CHIP 0.01 DM	A.....
C	709	87-010-197-080	CAP,CHIP 0.01 DM	A.....
C	706	87-010-197-080	CAP,CHIP 0.01 DM	A.....
C	702	87-010-318-080	C-CAP,S 47P-50 CH	A.....
C	701	87-010-318-080	C-CAP,S 47P-50 CH	A.....
C	708	87-010-496-080	CAP,E 3.3-50 5L	A.....
C	705	87-010-553-080	CAP,E 47-16	A.....
C	710	87-010-197-080	CAP,CHIP 0.01 DM	A.....
C	715	87-010-197-080	CAP,CHIP 0.01 DM	A.....
C	716	87-010-316-080	C-CAP,S 33P-50 CH	A.....
C	719	87-010-498-080	CAP,E 10-16 GAS	A.....
C	714	87-010-555-080	CAP,E 100-10 GAS	A.....
C	725	87-010-197-080	CAP,CHIP 0.01 DM	A.....
C	726	87-010-197-080	CAP,CHIP 0.01 DM	A.....
C	728	87-010-197-080	CAP,CHIP 0.01 DM	A.....
C	724	87-010-494-080	CAP ELECT GAS 1/50	A.....
C	727	87-010-497-080	CAP,E 4.7-35 5L	A.....
C	723	87-010-498-080	CAP,E 10-16 GAS	A.....
C	729	87-010-555-080	CAP,E 100-10 GAS	A.....
C	720	87-012-157-080	C-CAP,S 330P-50 CH	A.....
C	733	87-010-183-080	C-CAP,S 2700P-50 B	A.....
C	732	87-010-189-080	C-CAP,S 8200P-50 B	A.....
C	730	87-010-321-080	CHIP CAPACITOR,82P(J)	A.....
C	737	87-010-552-080	CAP,E 22-16 GAS	A.....
C	731	87-012-140-080	CAP 470P	A.....
C	734	87-012-142-080	CAP, S 0.33-16	A.....
C	739	87-012-157-080	C-CAP,S 330P-50 CH	A.....
C	743	87-010-183-080	C-CAP,S 2700P-50 B	A.....
C	742	87-010-189-080	C-CAP,S 8200P-50 B	A.....
C	740	87-010-318-080	C-CAP,S 47P-50 CH	A.....
C	741	87-012-140-080	CAP 470P	A.....
C	744	87-012-142-080	CAP, S 0.33-16	A.....
C	748	87-012-154-080	C-CAP,S 150P-50 CH	A.....
C	745	87-012-157-080	C-CAP,S 330P-50 CH	A.....
CN	702	87-A60-720-010	CONN,6P JL-R	A.....
CN	701	87-A60-722-010	CONN,8P JL-R	A.....
IC	701	87-A21-261-010	IC,MSP3417D	A.....
L	701	87-005-461-080	COIL,1UH J FLR50	A.....
L	702	87-005-461-080	COIL,1UH J FLR50	A.....
L	705	87-005-473-080	COIL,10UH J FLR50	A.....
L	703	87-005-473-080	COIL,10UH J FLR50	A.....
L	707	87-005-473-080	COIL,10UH J FLR50	A.....
L	708	87-005-485-080	COIL,100UH J FLR50	A.....
Q	710	89-324-122-080	TR,2SC2412K	A.....
Q	711	89-324-122-080	TR,2SC2412K	A.....
Q	721	89-324-122-080	TR,2SC2412K	A.....
Q	731	89-324-122-080	TR,2SC2412K	A.....
Q	741	89-324-122-080	TR,2SC2412K	A.....
X	701	87-A70-199-080	VIB,XTAL 18.432MHZ	A.....

MECHANICAL PARTS LIST - 1/1

NOTE: The characters in the suffix column indicate the part usage.

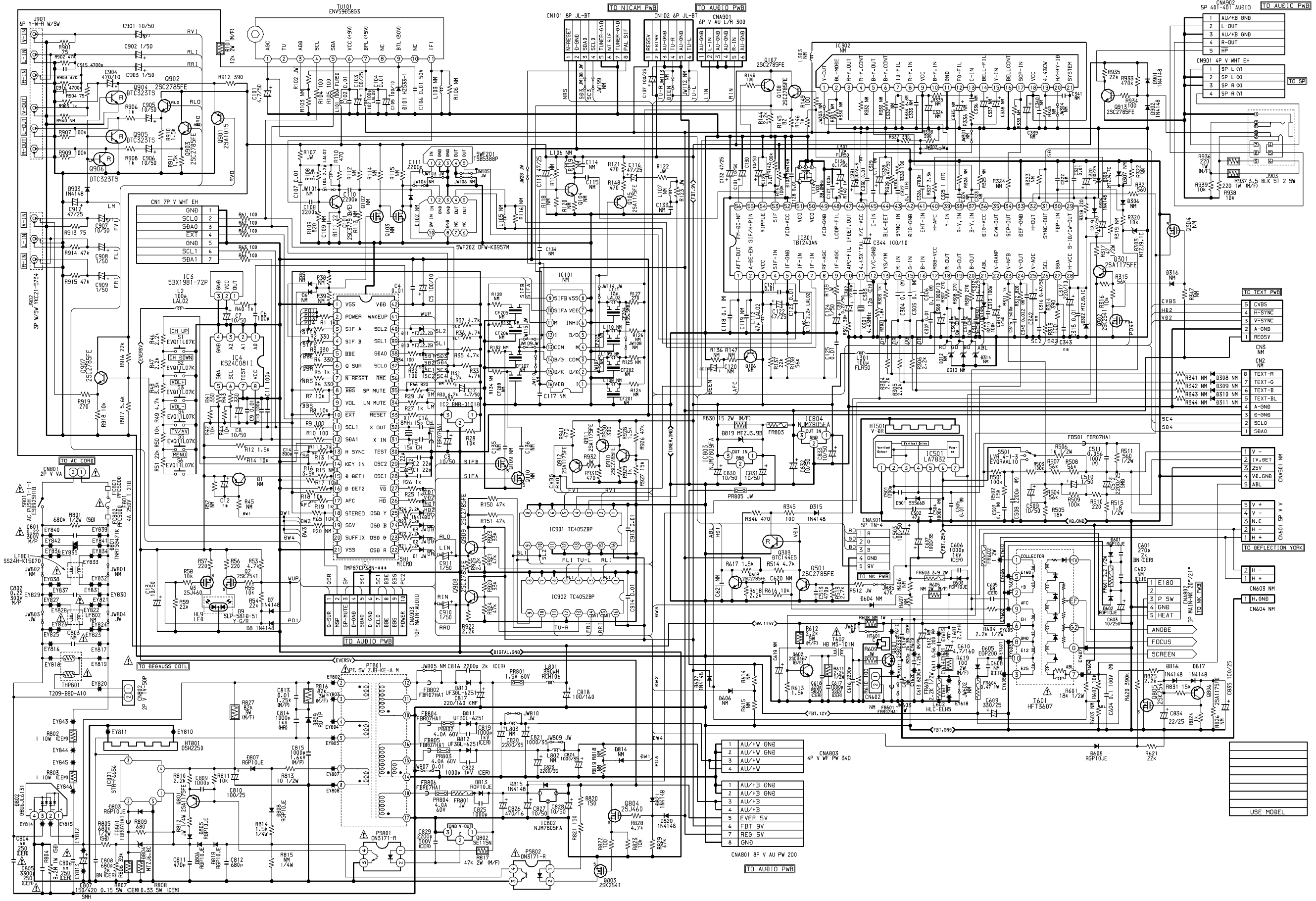
REF.NO	PARTS NO.	NO.	DESCRIPTION	SUFFIX
KEJK1M		XX		A
		KANRI		
	87-054-086-010		BADGE,AIWA 52.5	A
	8Z-JB3-001-010		CABI ASSY,FR DUCT HB	A
	8Z-JB3-004-010		PANEL,MAIN MSP	A
	8Z-JB3-005-010		KEY,MSP	A
	8Z-JB4-011-010		PANEL,DUCT L	A
	8Z-JB4-012-010		PANEL,DUCT R	A
	8Z-JB5-007-010		BTN,POWER SH	A
	8Z-JB5-010-010		PANEL,REAR SH	A
	8Z-JBR-002-010		CABI,REAR	A
	8Z-JBR-004-010		KEY,MAIN	A
	8Z-JBR-005-010		LENS,RC	A
	8Z-JBR-006-010		LENS,LED	A
	84-LB3-205-010		SPR-E,EARTH	A
	8Z-JB4-207-010		BOX,SPKR FRONT L	A
	8Z-JB4-208-010		BOX,SPKR FRONT R	A
	8Z-JB4-209-010		BOX,SPKR REAR	A
	8Z-JB4-211-010		HLDR,DUCT	A
	8Z-JBR-201-010		HLDR,PCB 1	A
	86-LBB-206-010		S-SCREW,ASSY TV5-40 W20	A
	87-067-680-010		BVI T3+3-10	A
	87-067-690-010		TAPPING SCREW, BVIT3+3-12	A
	87-067-758-010		BVT2+3-12 W/O SLOT	A
	87-067-761-010		TAPPING SCREW, BVT2+3-10	A
	87-067-844-010		BVT2+4-16 BLK	A
	87-078-070-010		BVIT3B+4-12	A
	87-A90-332-010		HLDR,SF-2001 HV CABLE	A
	87-JBN-630-010		DGC,21PAL 7JB-22	A
	88-JBJ-605-010		CONN ASSY,5P V DY-420	A
	8Z-JB3-620-010		SPKR,6*12 8OHM 15W	A
	8Z-JB3-621-010		SPKR,8 8OHM 15W	A
	8Z-JBX-602-010		CONN ASSY,4P SP 205-0.5	A
	8Z-JBX-691-010		AC CORD ASSY,KE IND BLK BUSH	A

ACCESSORIES / PACKAGE LIST - 1/1

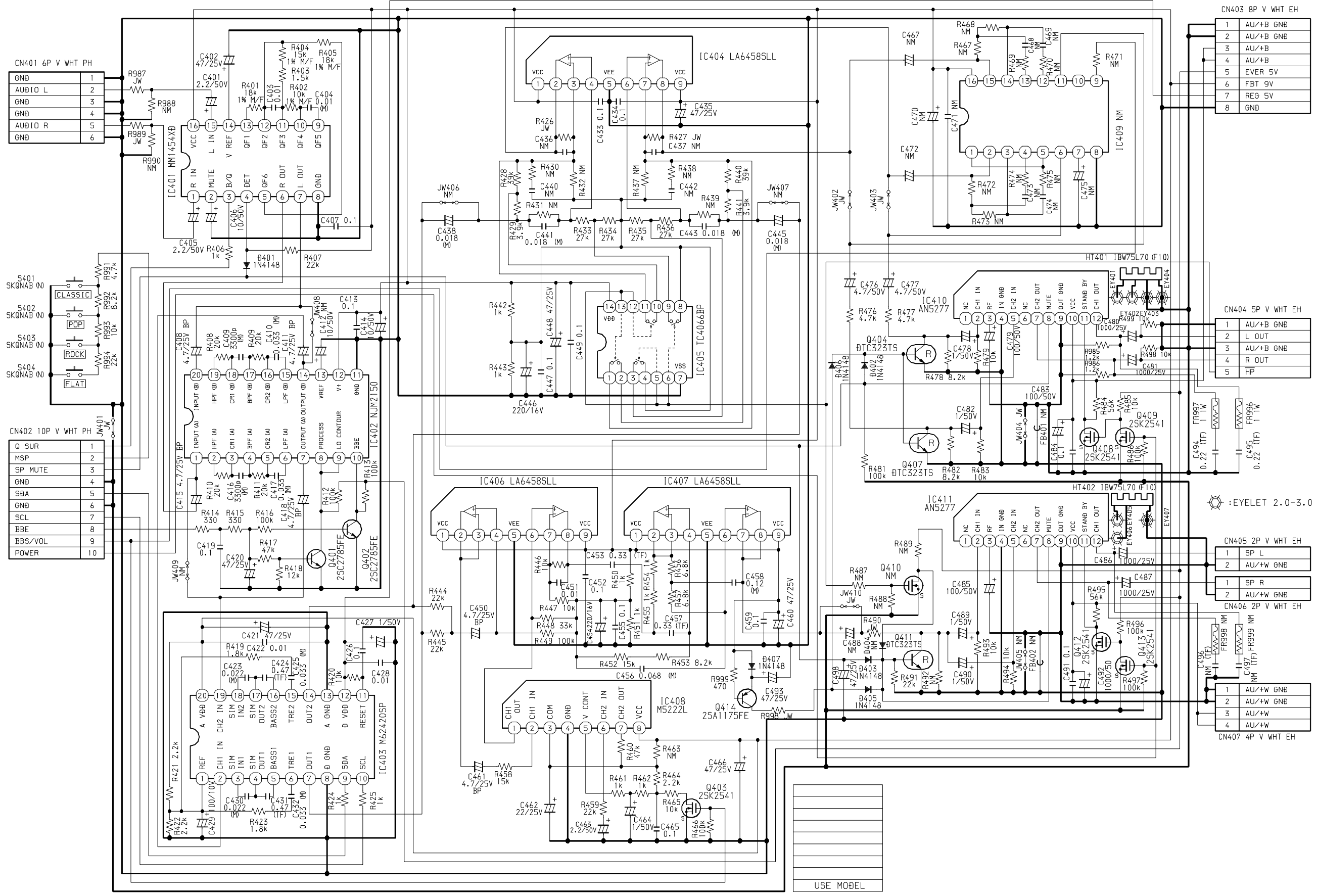
NOTE: The characters in the suffix column indicate the part usage.

REF.NO	PARTS NO.	NO.	DESCRIPTION	SUFFIX
KEJK1M		XX		A
		KANRI		
	8Z-JB3-901-010		IB,KE(E) SX2150	A
	87-A91-381-010		PLUG,ANT WEV2220-9001C	A
	8Z-JB3-951-010		RC UNIT,RC-ZVT13	A

SCHEMATIC DIAGRAM - 1 (MAIN)



SCHEMATIC DIAGRAM – 2 (AUDIO)



CN401 6P V WHT PH

GND	1
AUDIO L	2
GND	3
AUDIO R	4
GND	5
GND	6

S401 SKGNAB (N)

S402 SKGNAB (N)

S403 SKGNAB (N)

S404 SKGNAB (N)

CLASSIC	1
POP	2
ROCK	3
FLAT	4

CN402 10P V WHT PH

Q SUR	1
MSP	2
SP MUTE	3
GND	4
SBA	5
GND	6
SCL	7
BBE	8
BBS/VOL	9
POWER	10

CN403 8P V WHT EH

1	AU/+B GND
2	AU/+B GND
3	AU/+B
4	AU/+B
5	EVER 5V
6	FBT 9V
7	REG 5V
8	GND

CN404 5P V WHT EH

1	AU/+B GND
2	L OUT
3	AU/+B GND
4	R OUT
5	HP

CN405 2P V WHT EH

1	SP L
2	AU/+W GND

CN406 2P V WHT EH

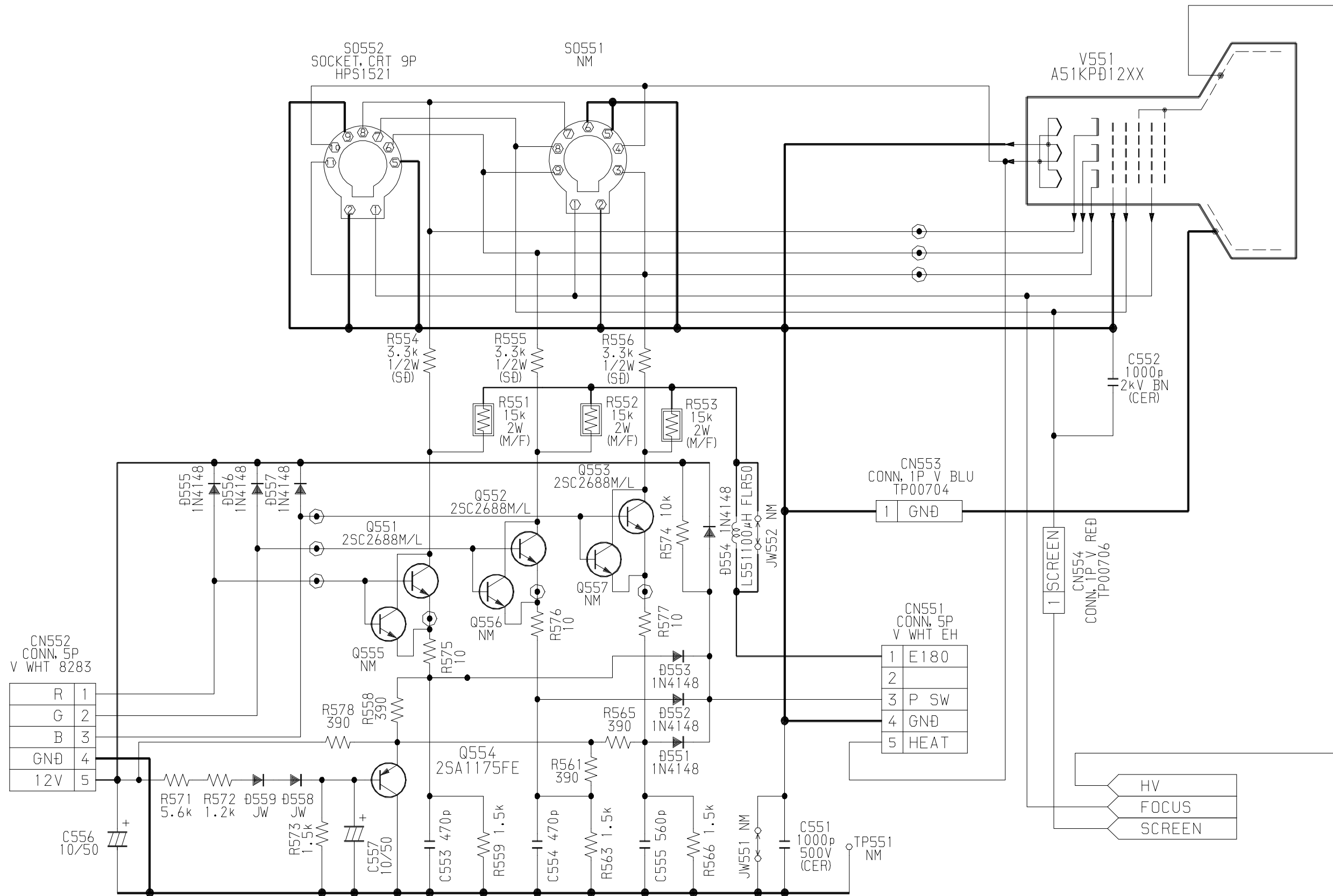
1	SP R
2	AU/+W GND

CN407 4P V WHT EH

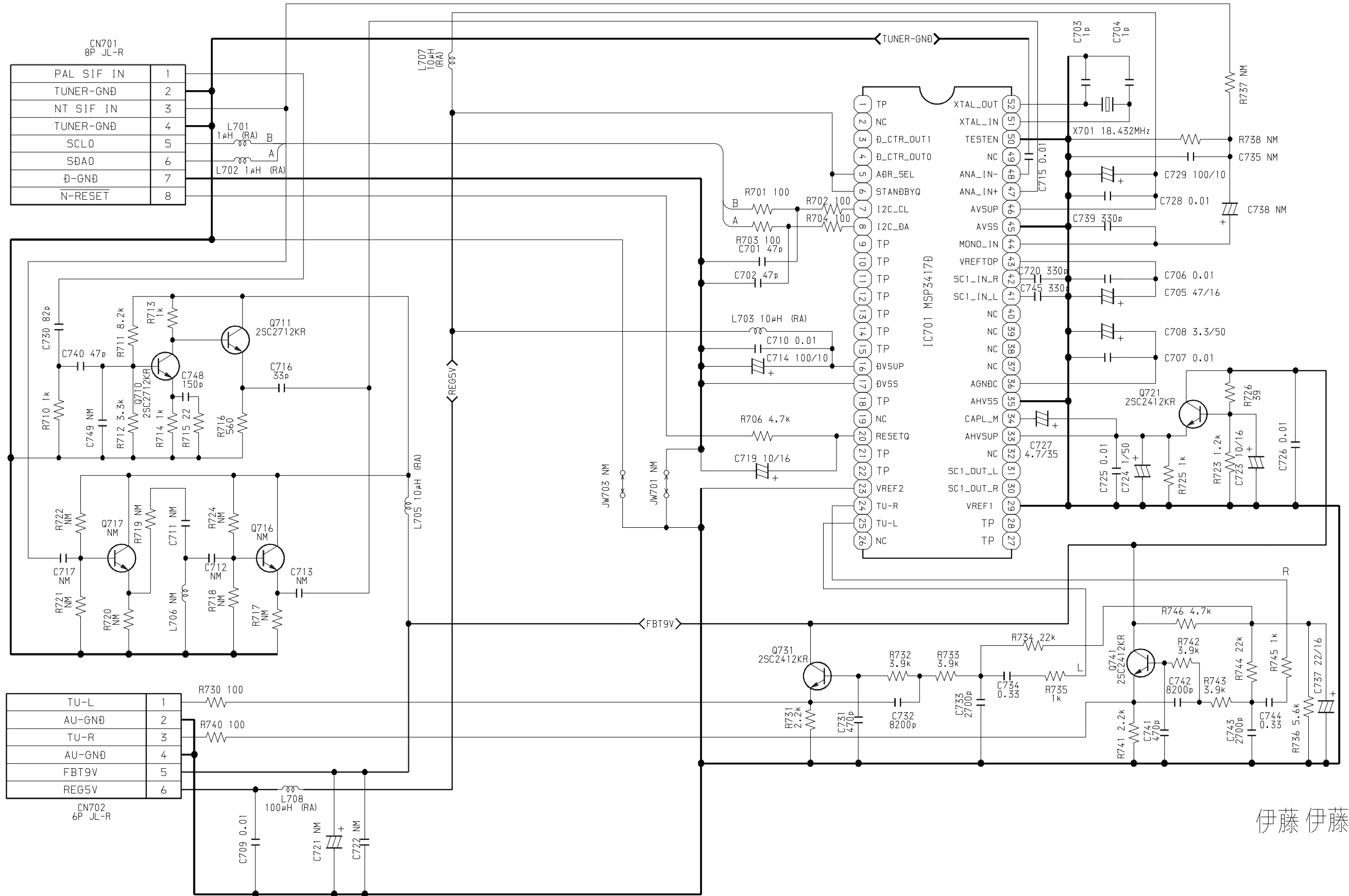
1	AU/+W GND
2	AU/+W GND
3	AU/+W
4	AU/+W

USE MODEL

SCHEMATIC DIAGRAM – 3 (NK)



SCHEMATIC DIAGRAM - 4 (NICAM)



伊藤 伊藤

サービス技術ニュース	
番号	連絡内容
G- -	
G- -	
G- -	

アイワ株式会社
AIWA CO.,LTD.

9420208

Tokyo Japan

〒110-8710 東京都台東区池之端1-2-11 ☎03(3827)3111 (代表)

Printed in Singapore